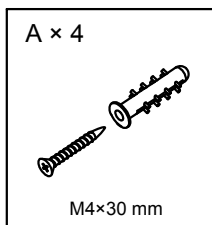
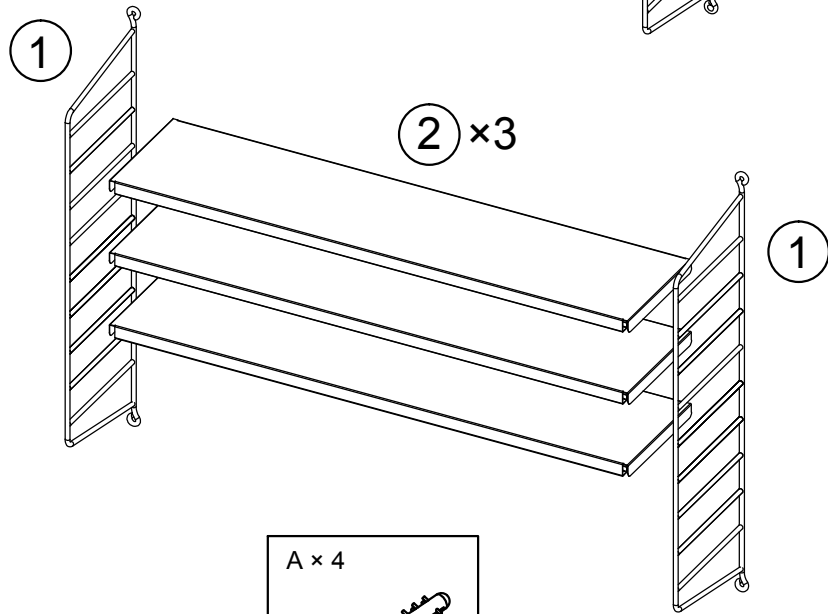
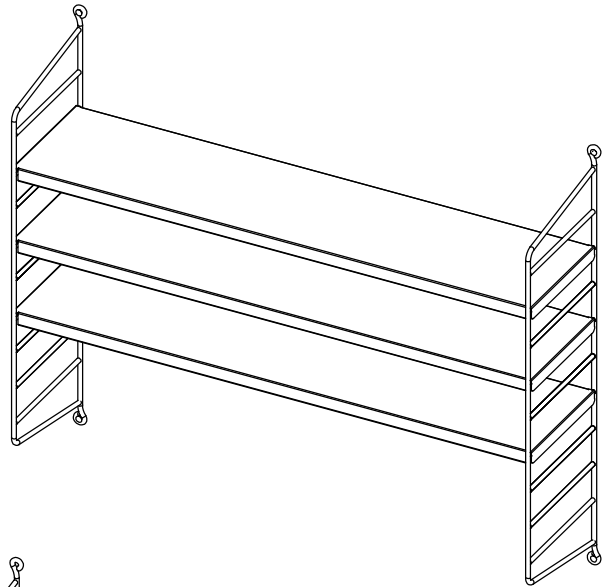
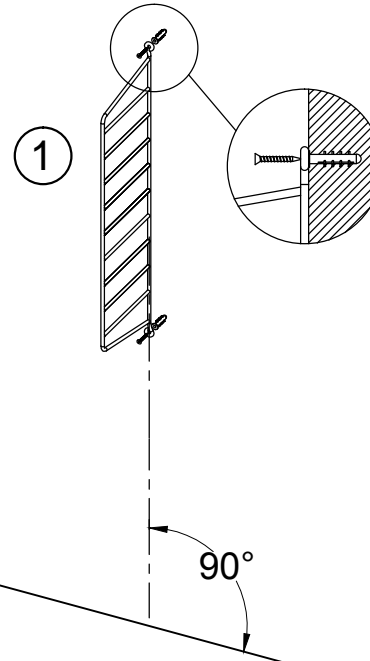
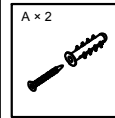


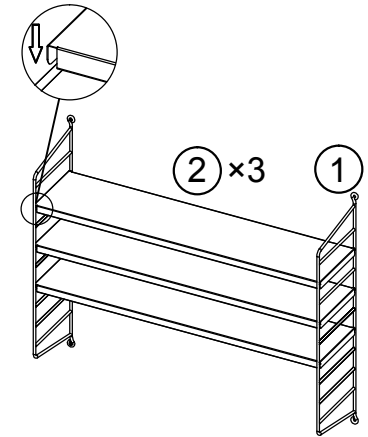
Assembly instructions



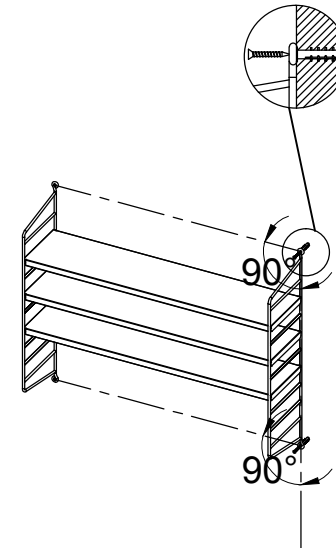
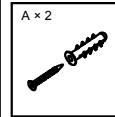
1



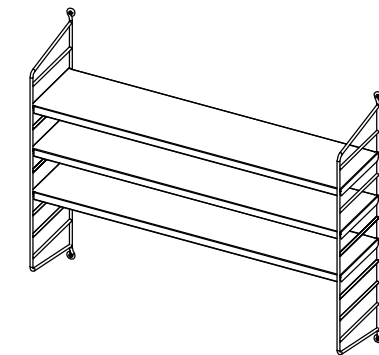
2



3



4

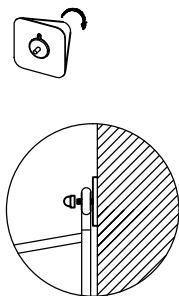


A × 4



Alternative option of spare for fixing on the wall
Only used for ceramic tiles! Emptying air when stick on ceramic tiles.

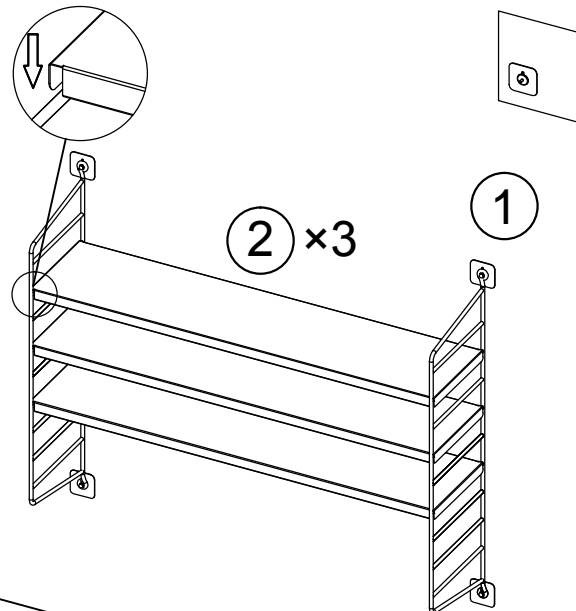
1



1

90°

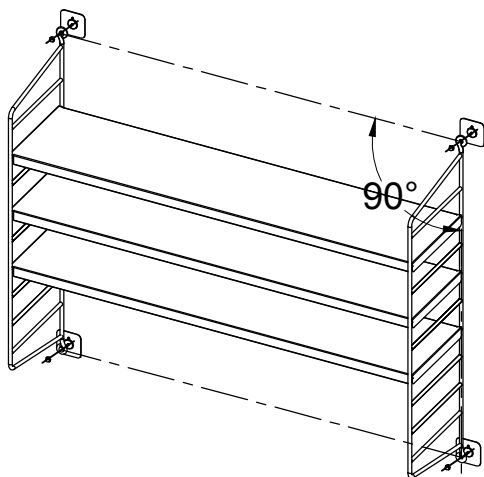
2



2 × 3

1

3



90°

4

