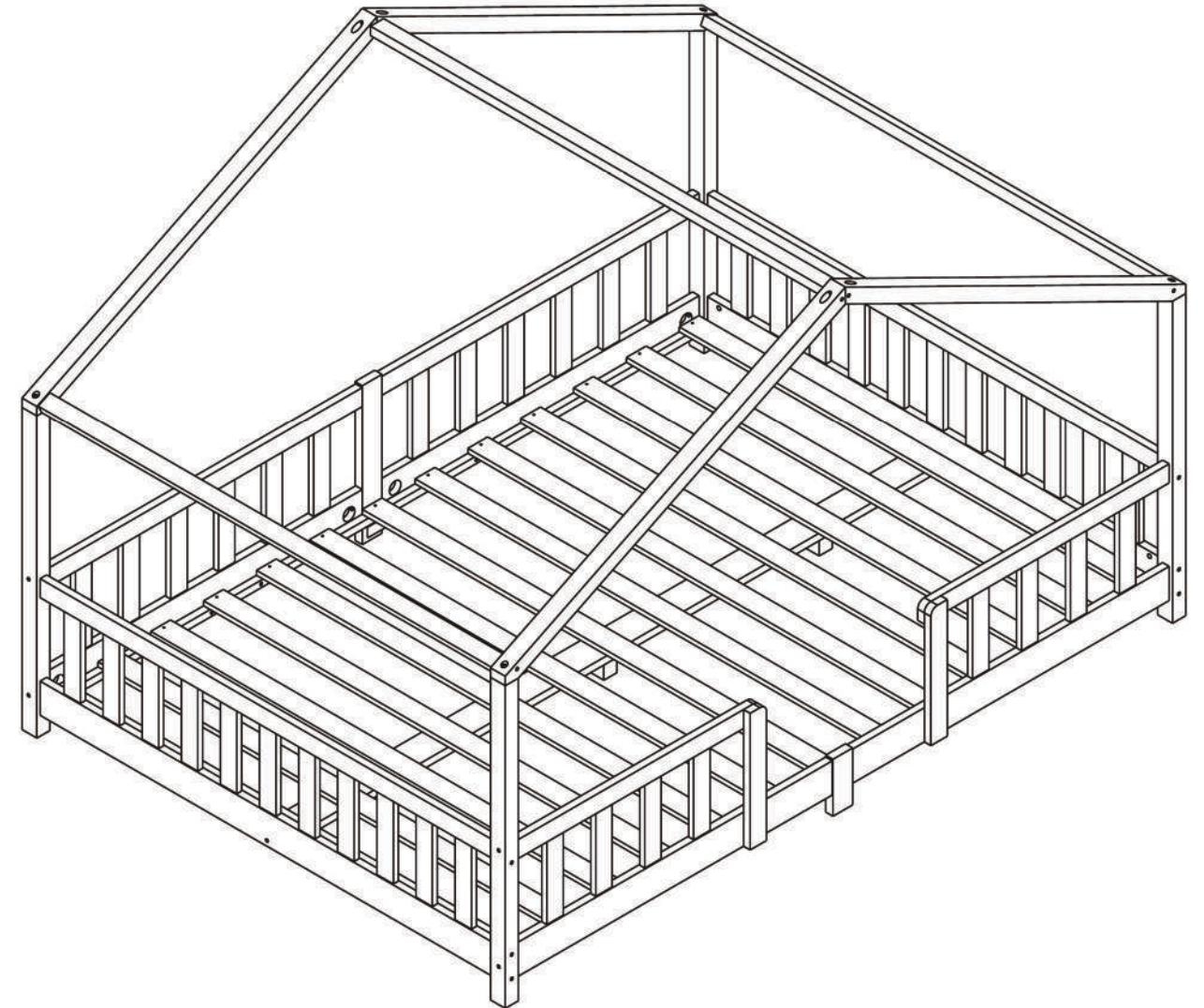


[en.casa]

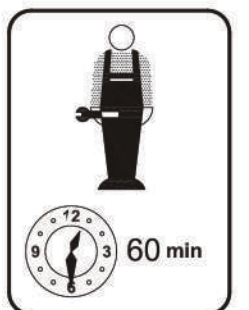
140x200cm Bed

H.T. Trade Service GmbH & Co. KG

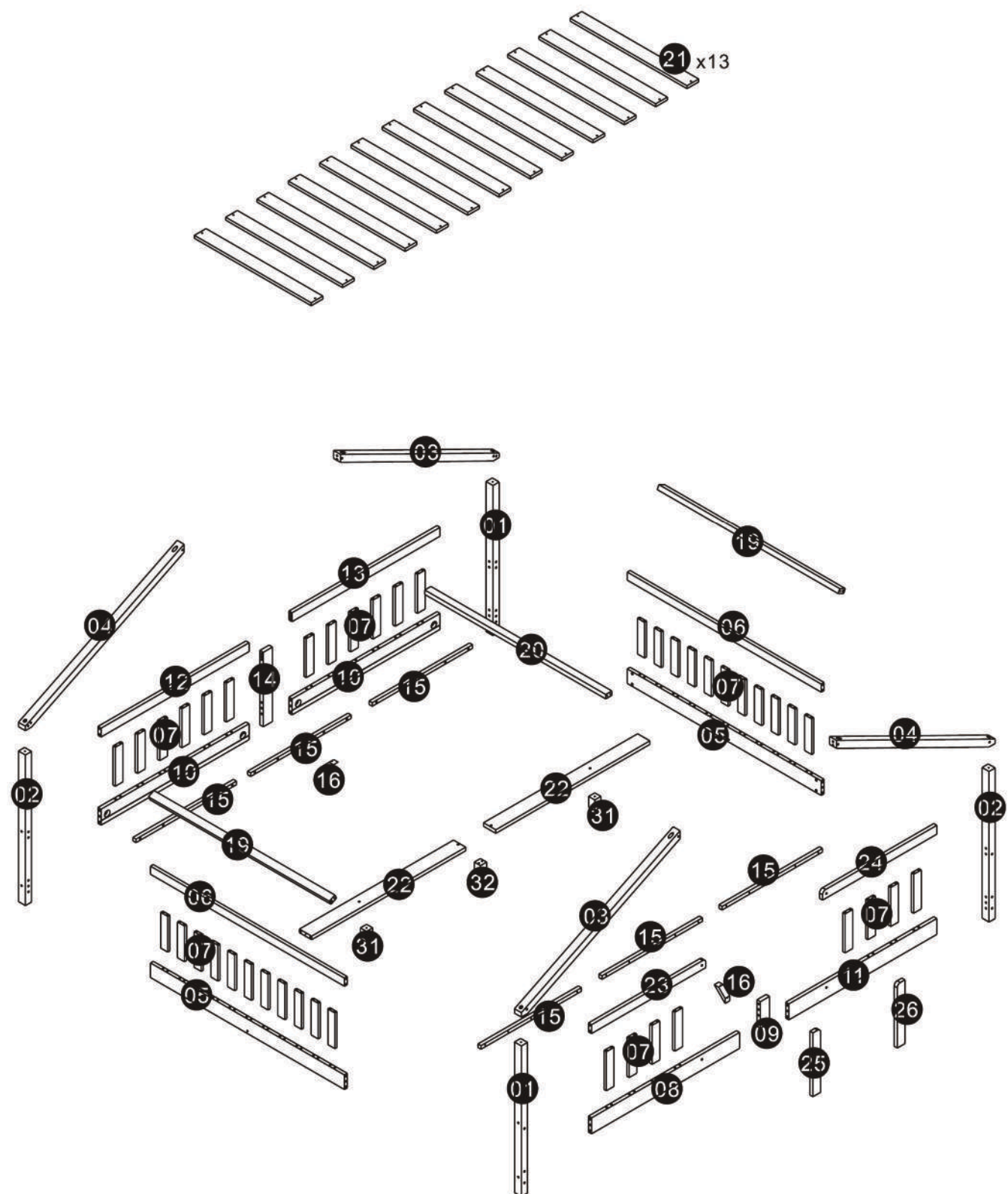
Item No.:PXSA-0037&PXSA-0039&PXSA-0041






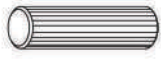

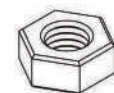

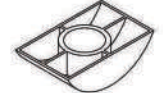




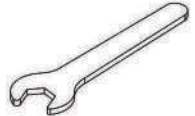



V1.1
21.08.2024



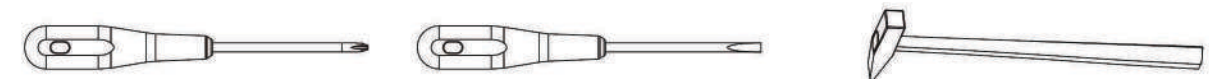
EXPLODED VIEW



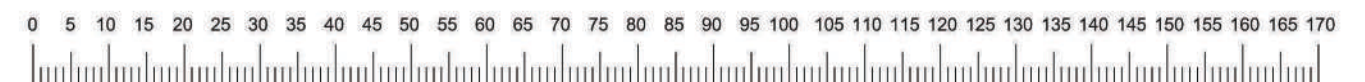
HARDWARE

<p>A x12</p>  <p>M6 x90mm</p>	<p>B x8</p> 	<p>C x16</p>  <p>∅6 x90mm</p>	<p>D x210</p>  <p>∅8 x30mm</p>	<p>E x3</p>  <p>M6 x140mm</p>
<p>F x10</p> 	<p>G x10</p> 	<p>H x10</p> 	<p>I x6</p>  <p>M6 x30mm</p>	<p>J x60</p>  <p>∅4 x30mm</p>
<p>K x2</p> 	<p>L x2</p> 	<p>M x2</p> 	<p>N x4</p>  <p>∅6 x80mm</p>	<p>O x2</p> 
<p>P x6</p>  <p>∅7x50mm</p>				

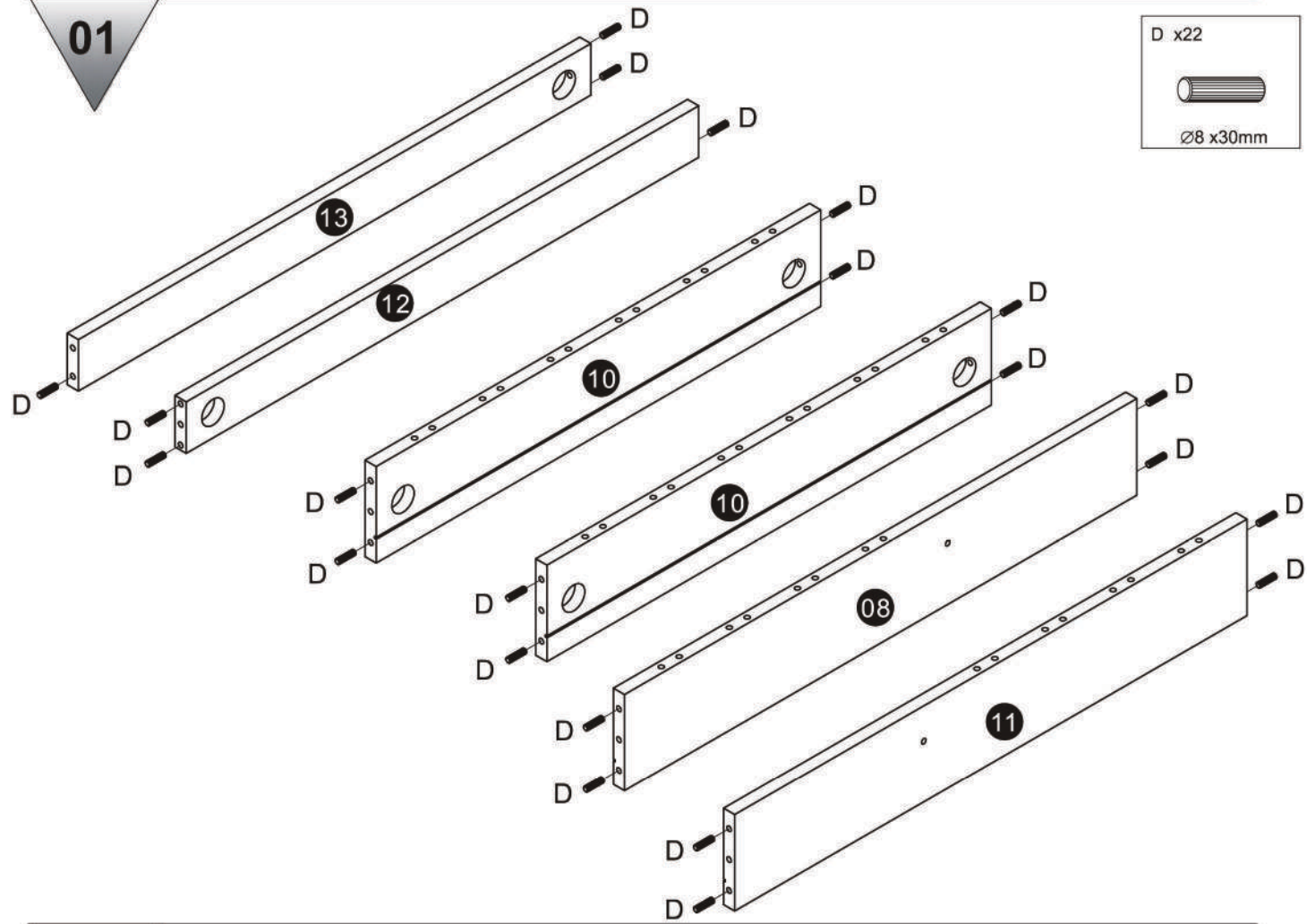
TOOLS



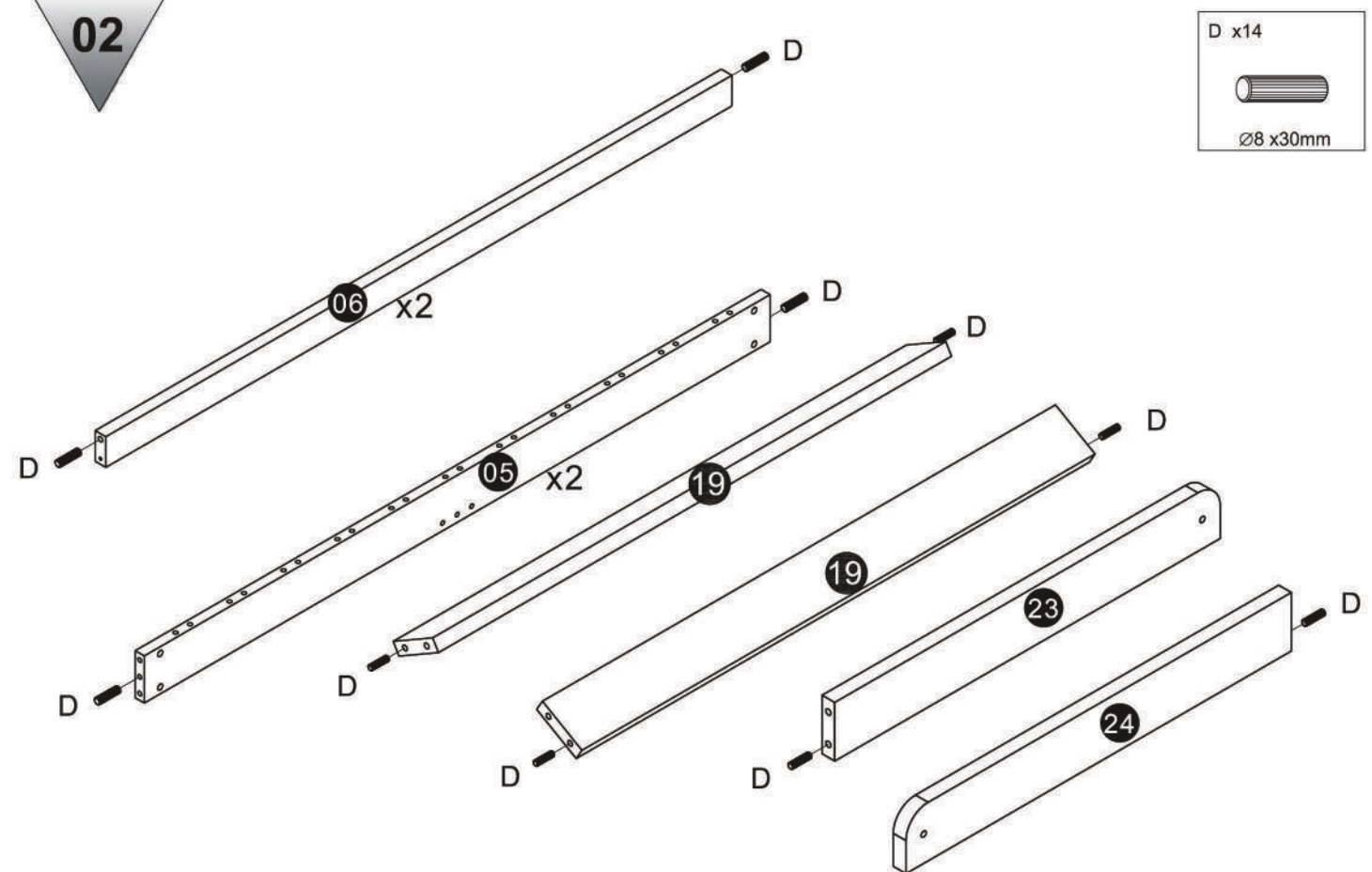
Ruler - Use this ruler to help correctly identify the screws



01

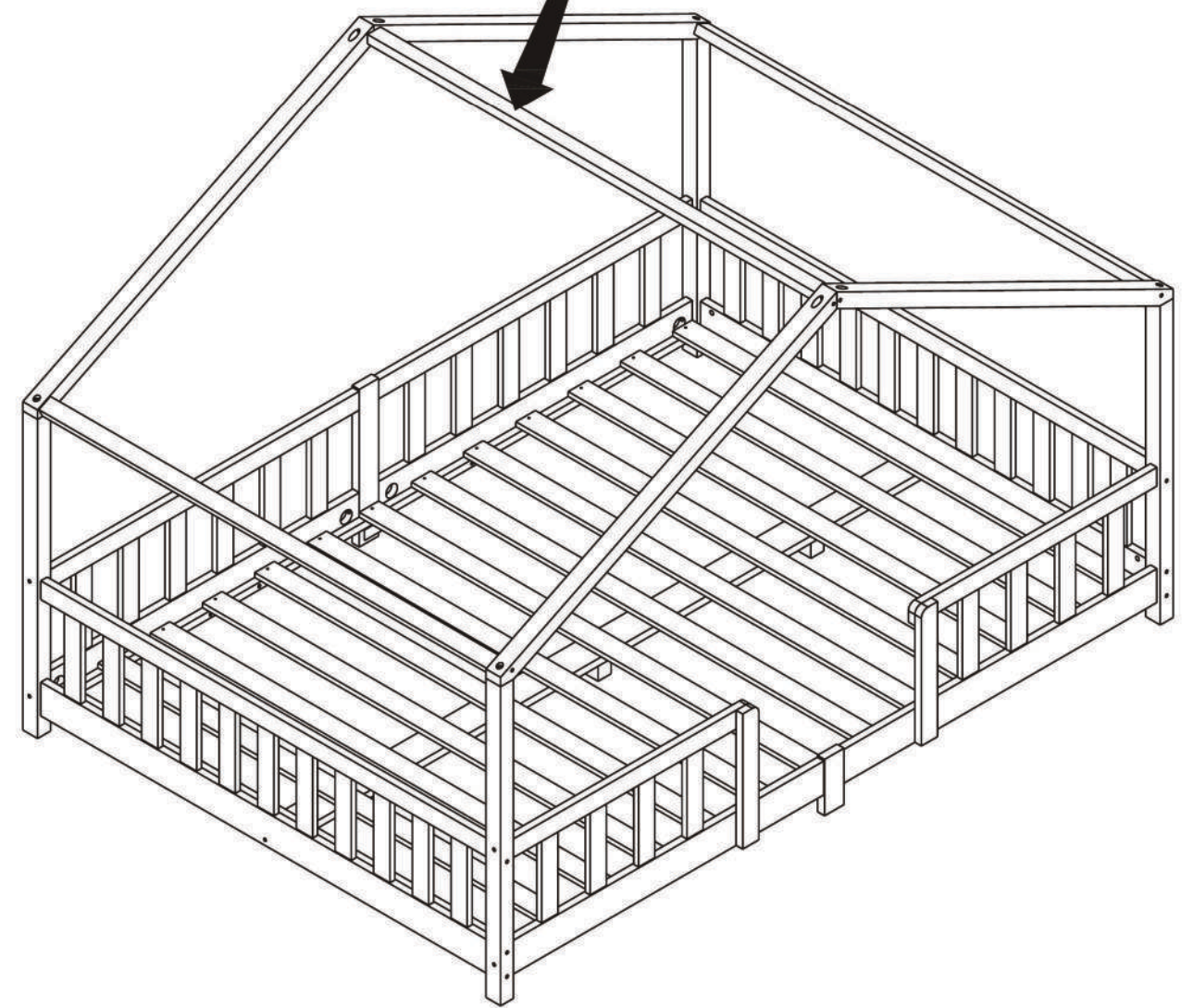


02

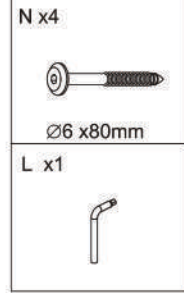
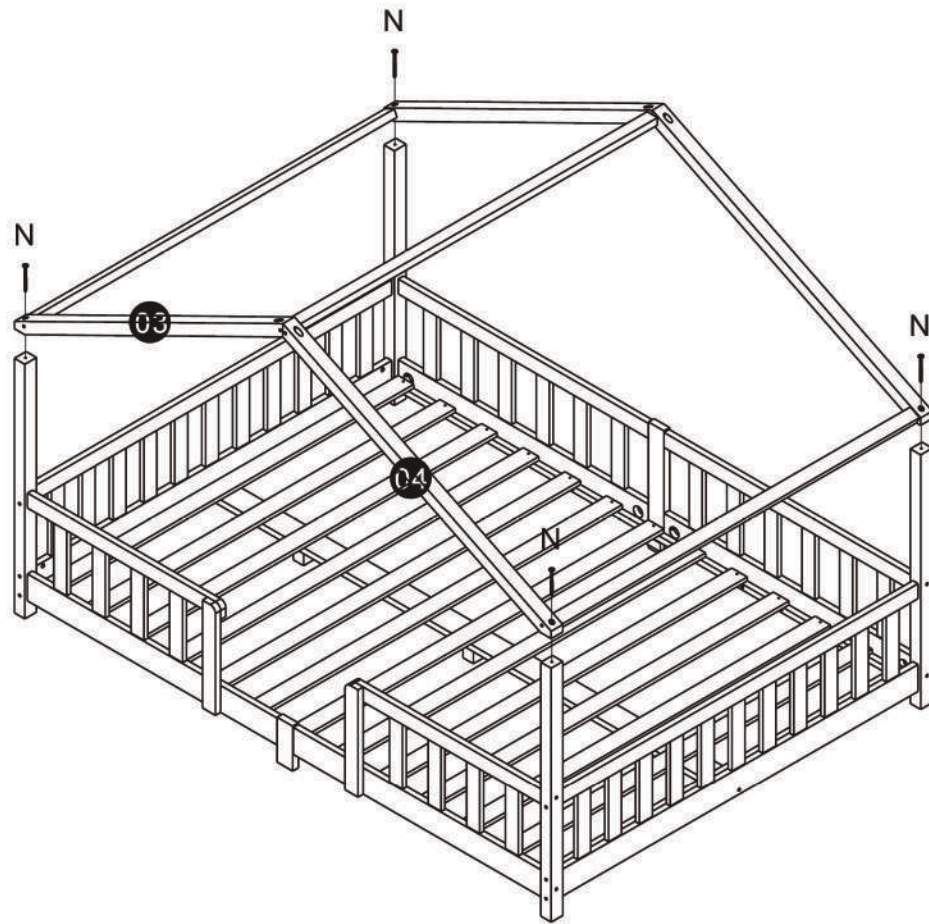


19

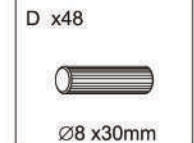
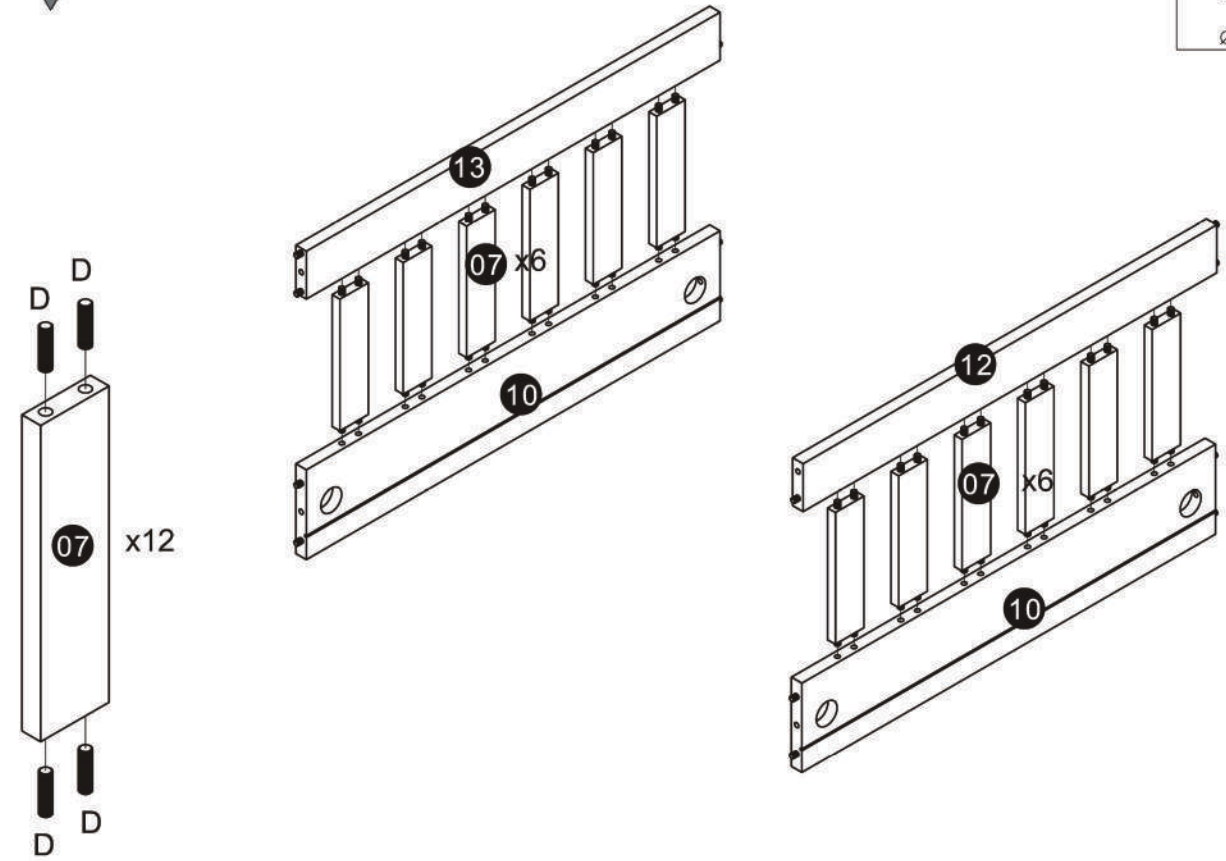
NO HANGING



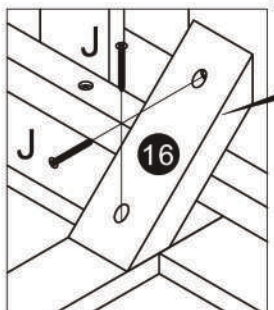
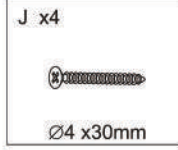
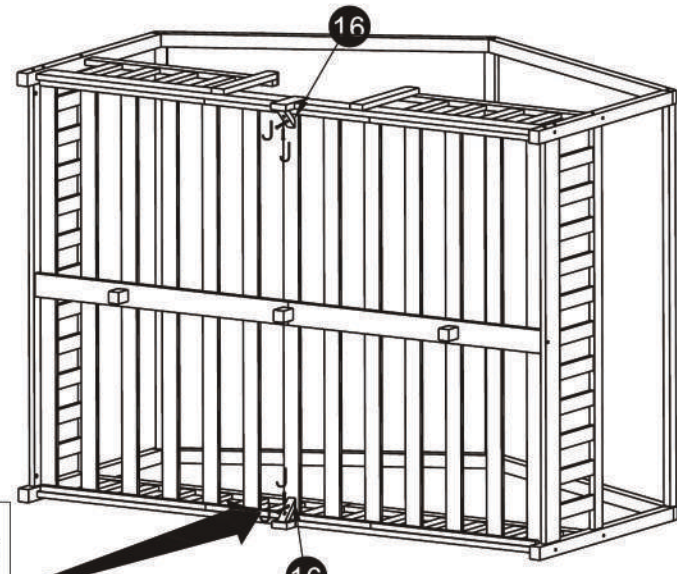
17



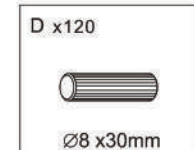
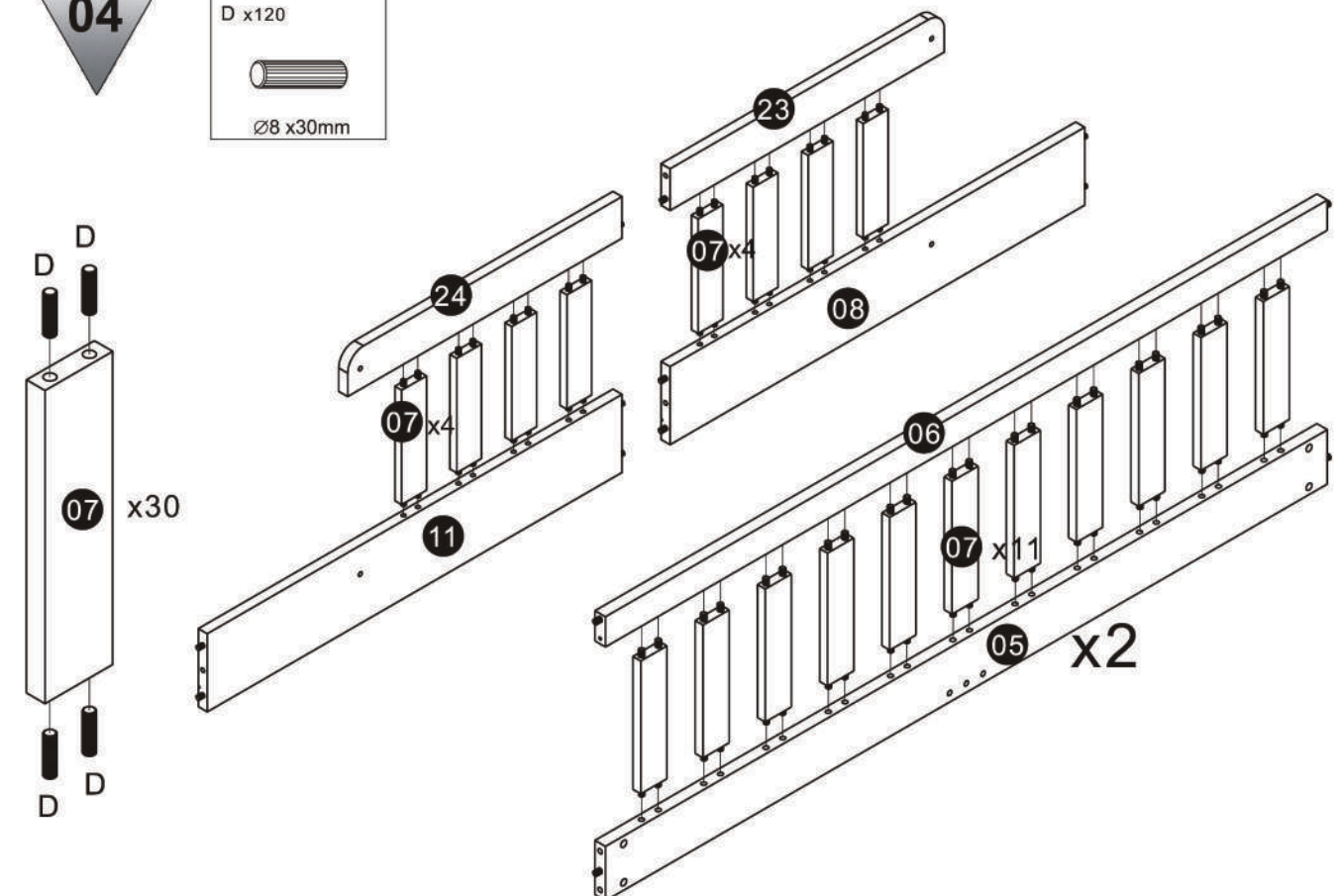
03

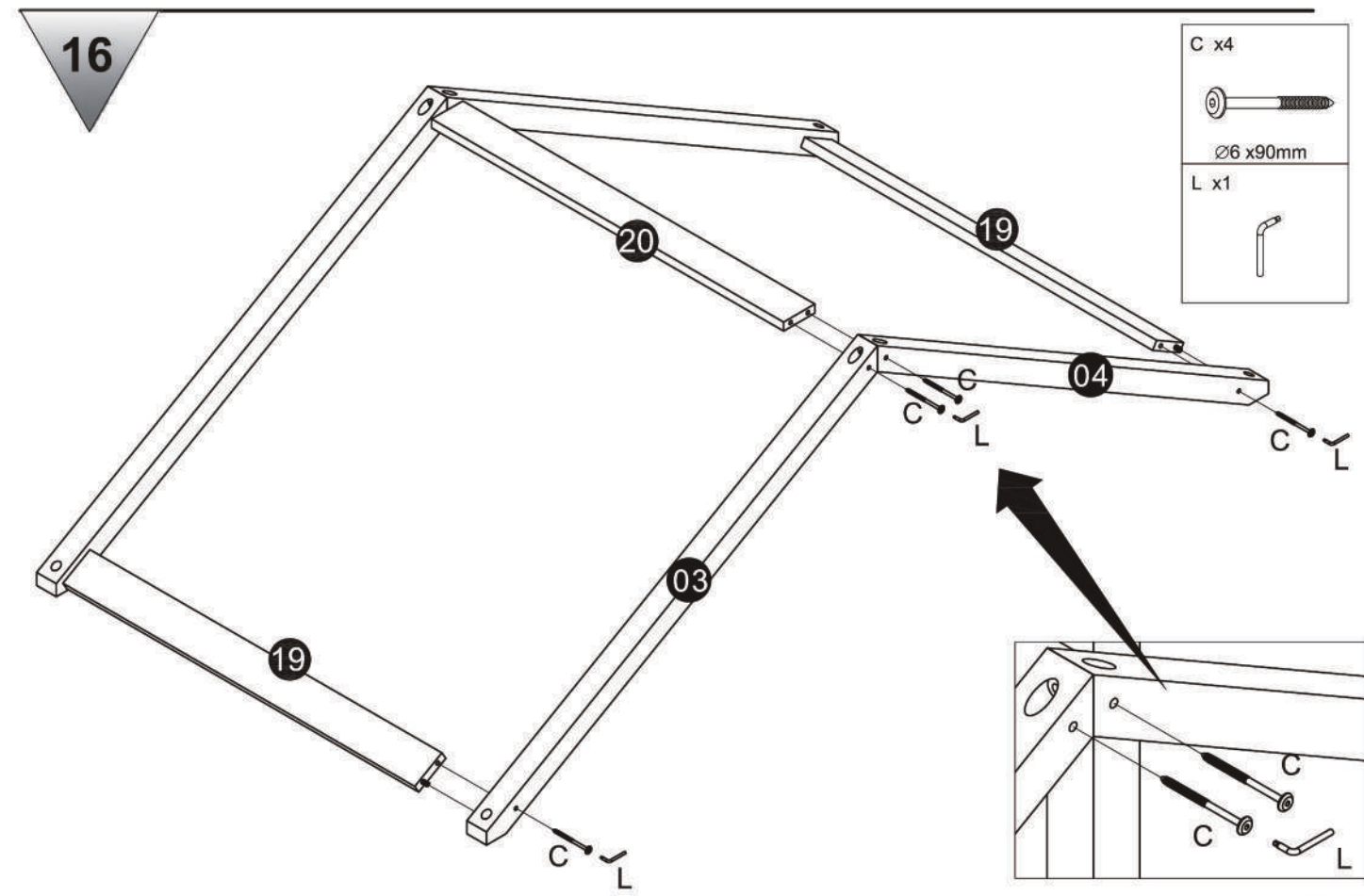
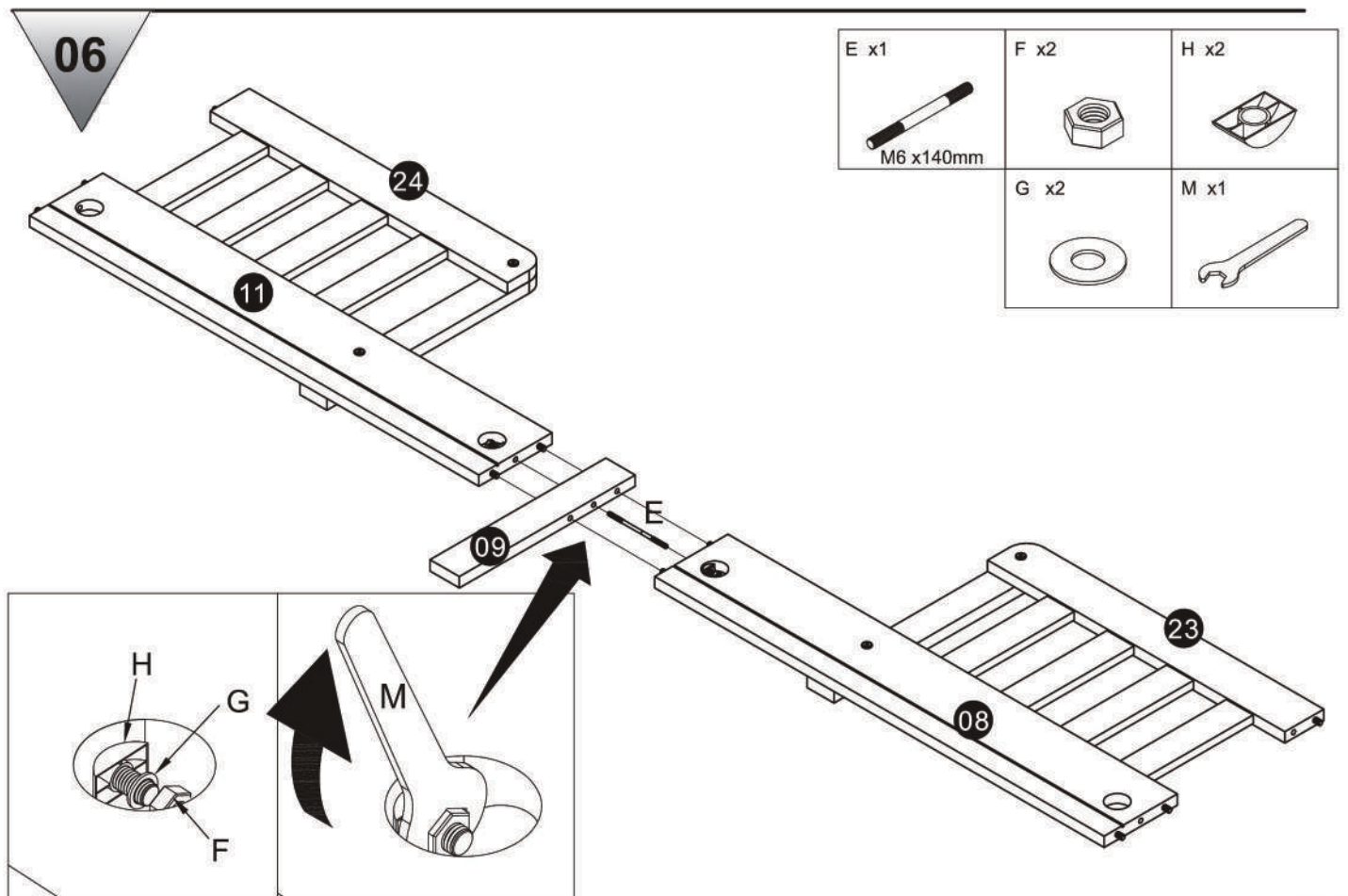
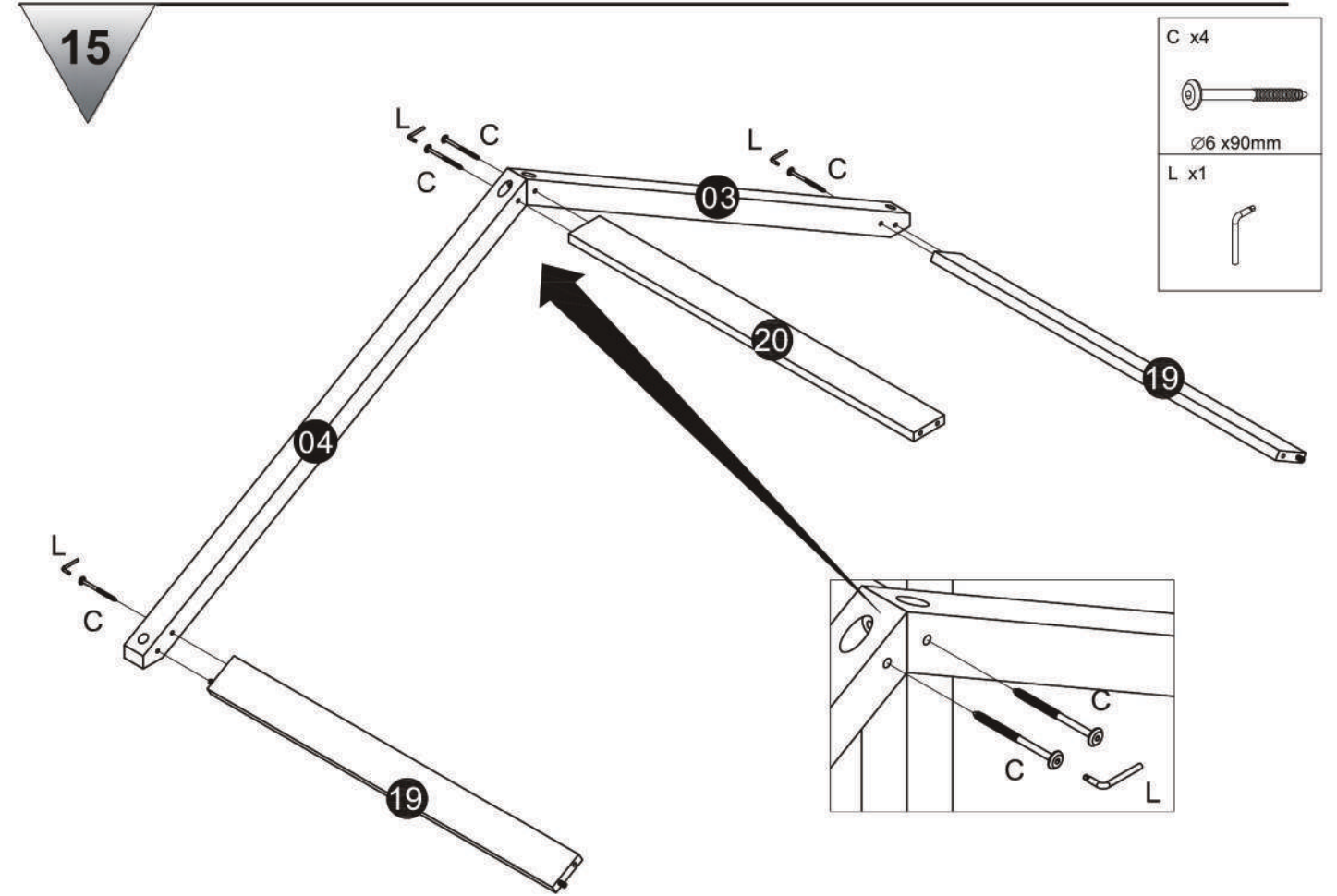
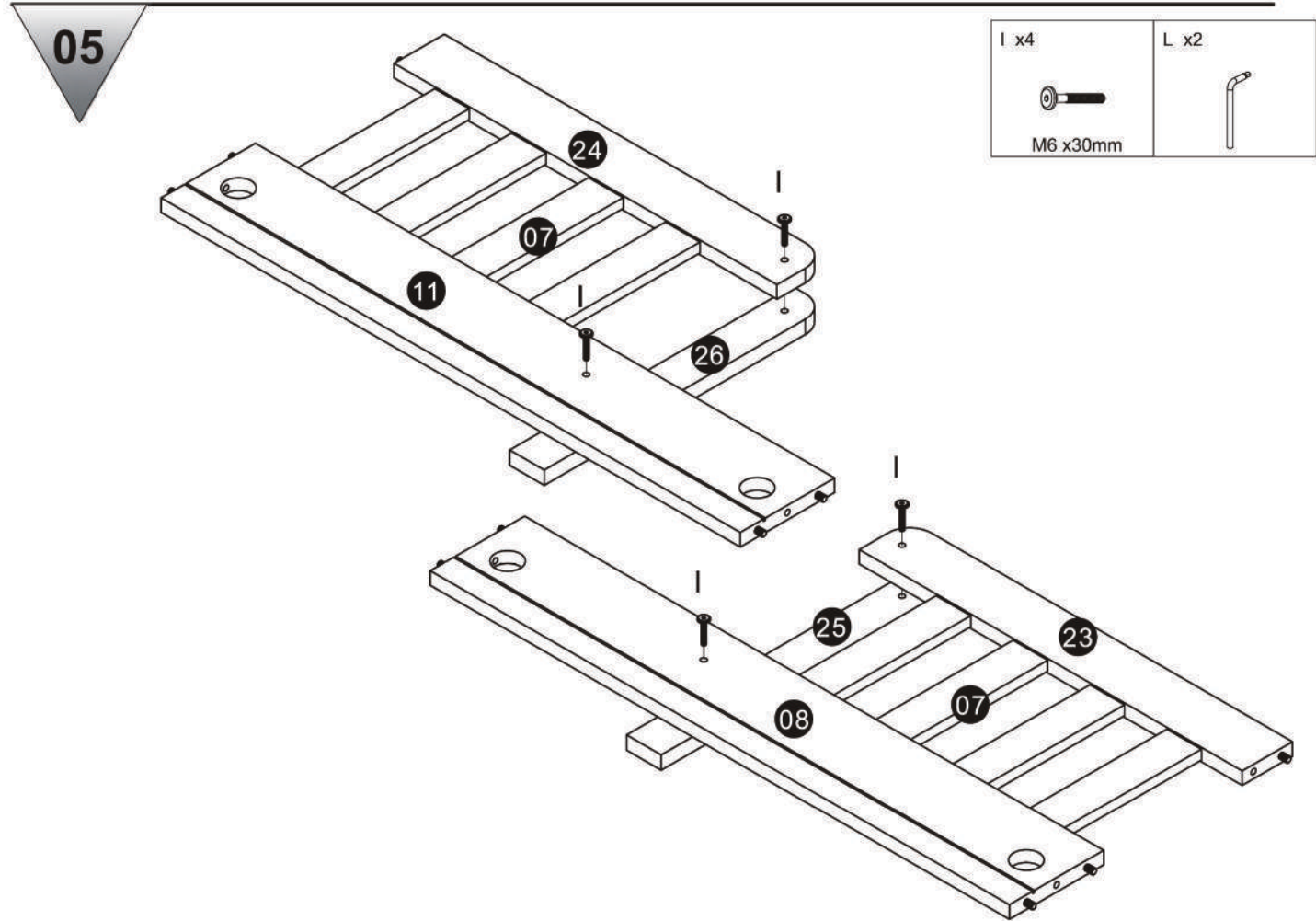


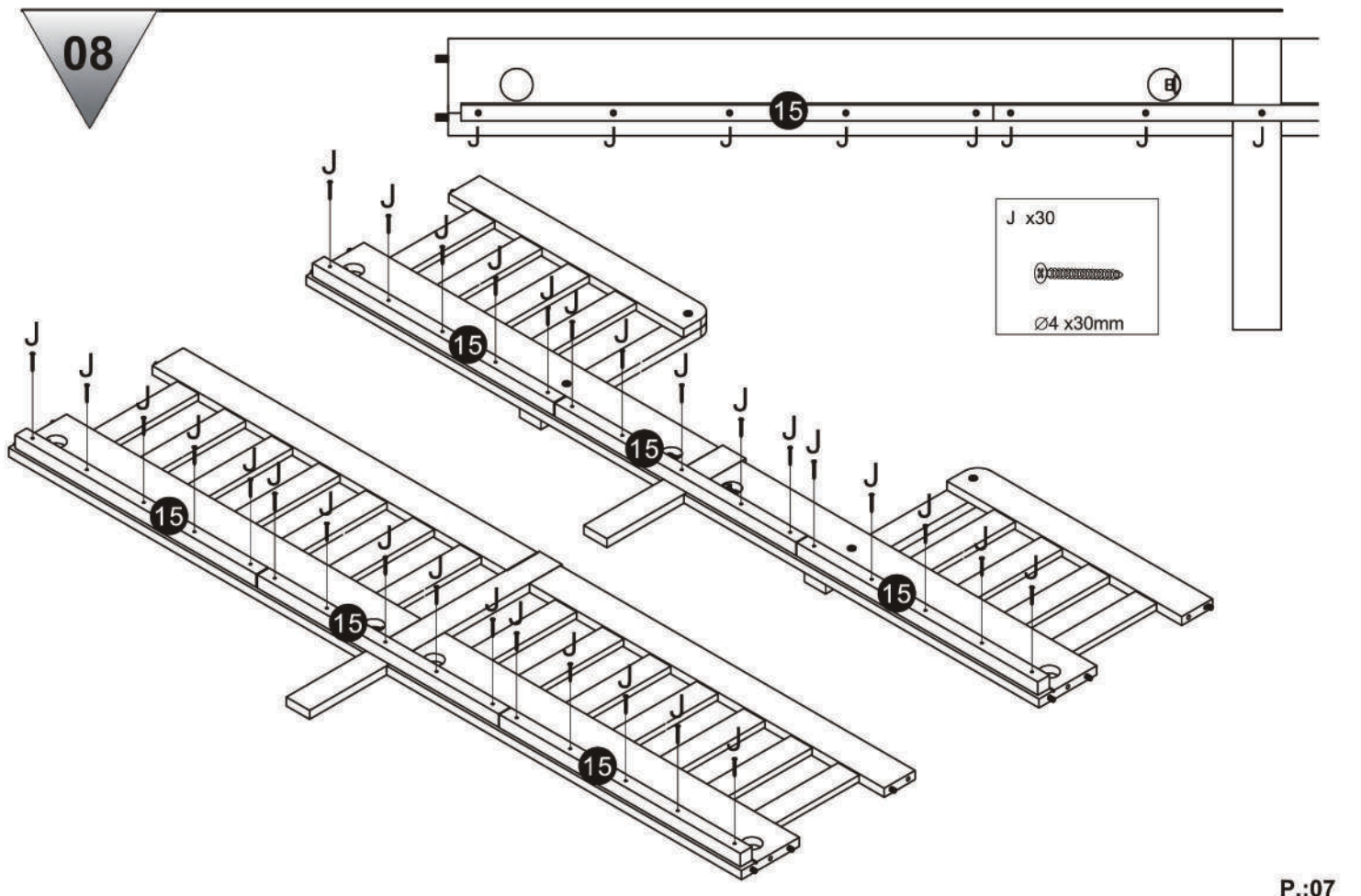
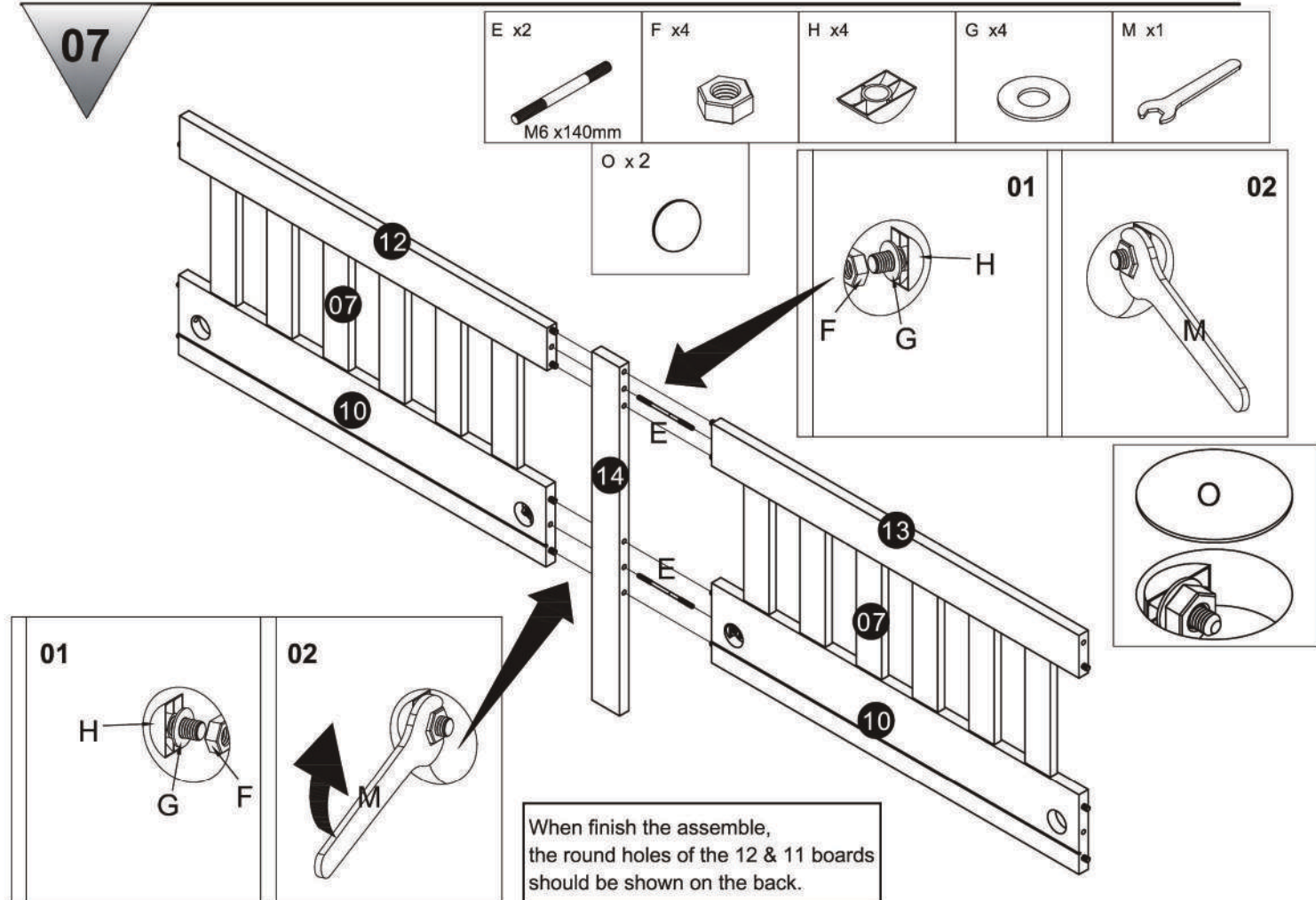
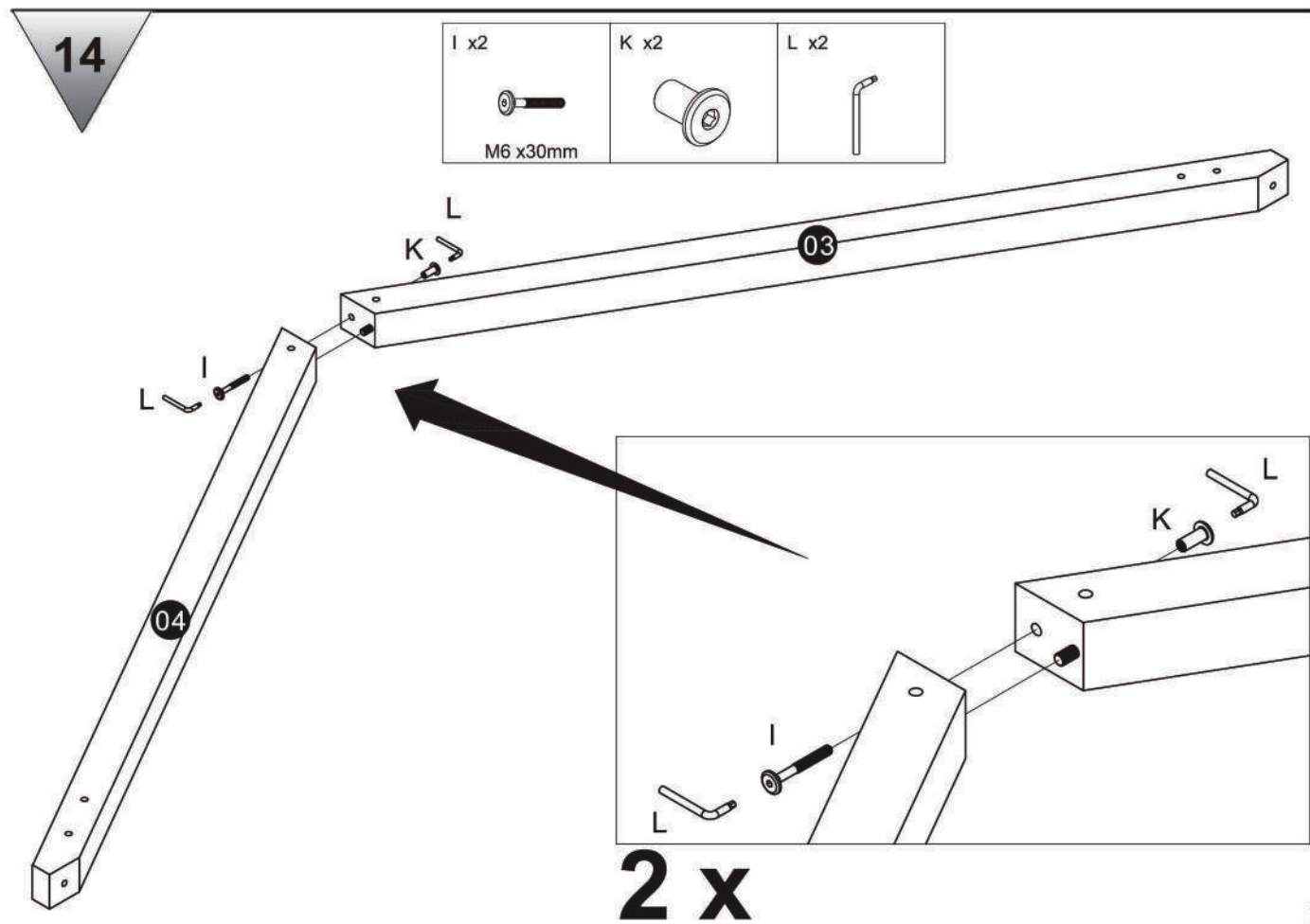
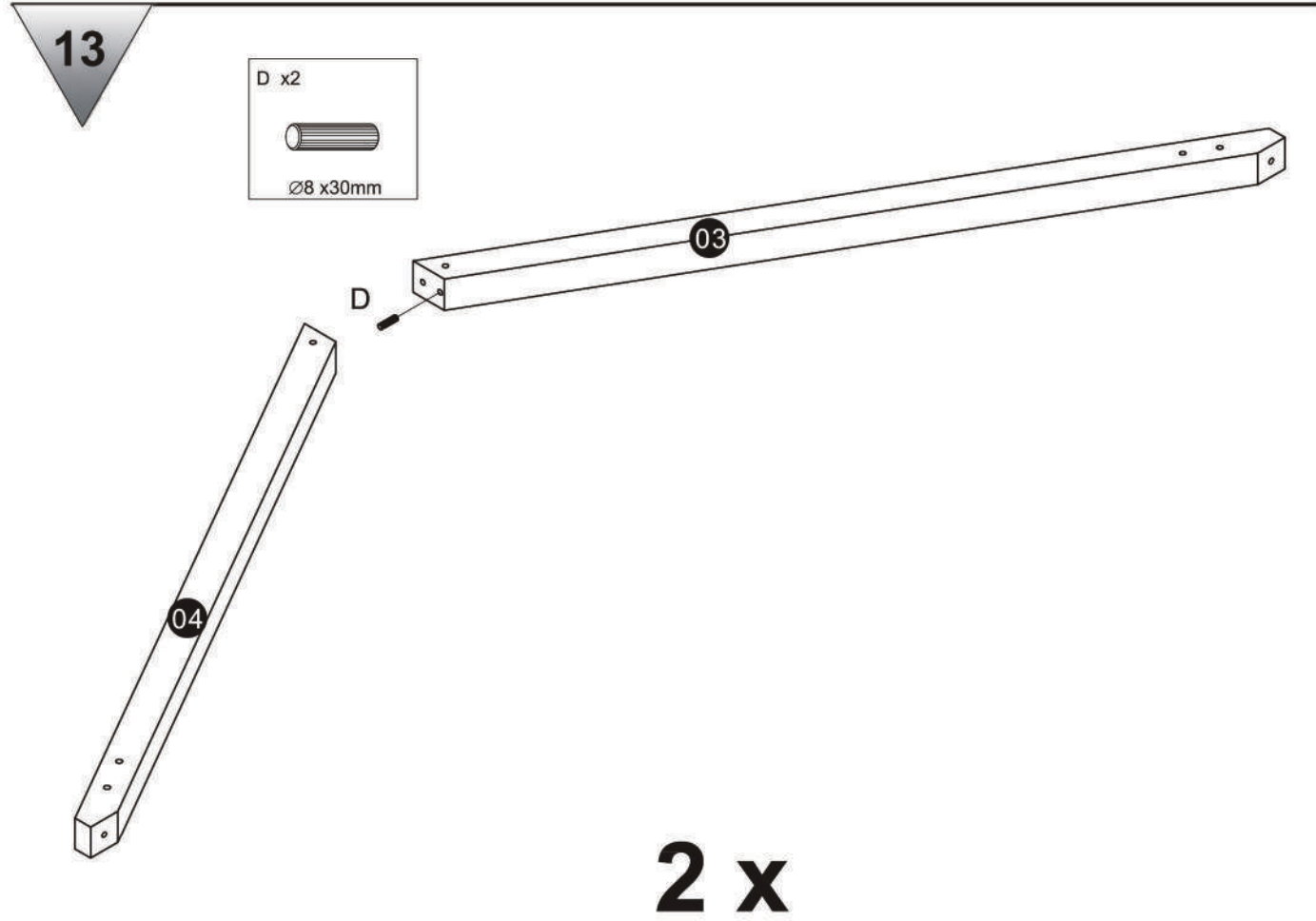
18







04

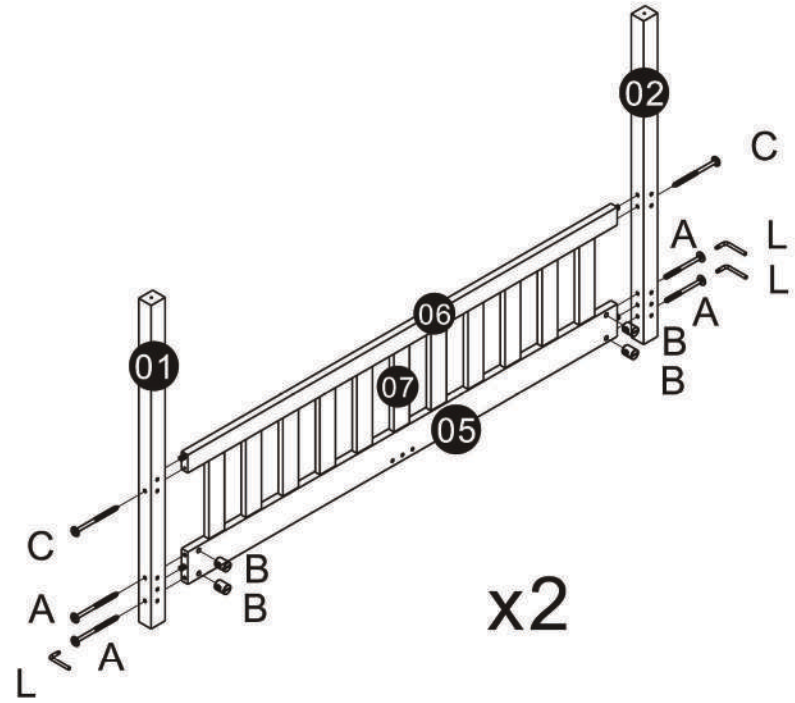








09

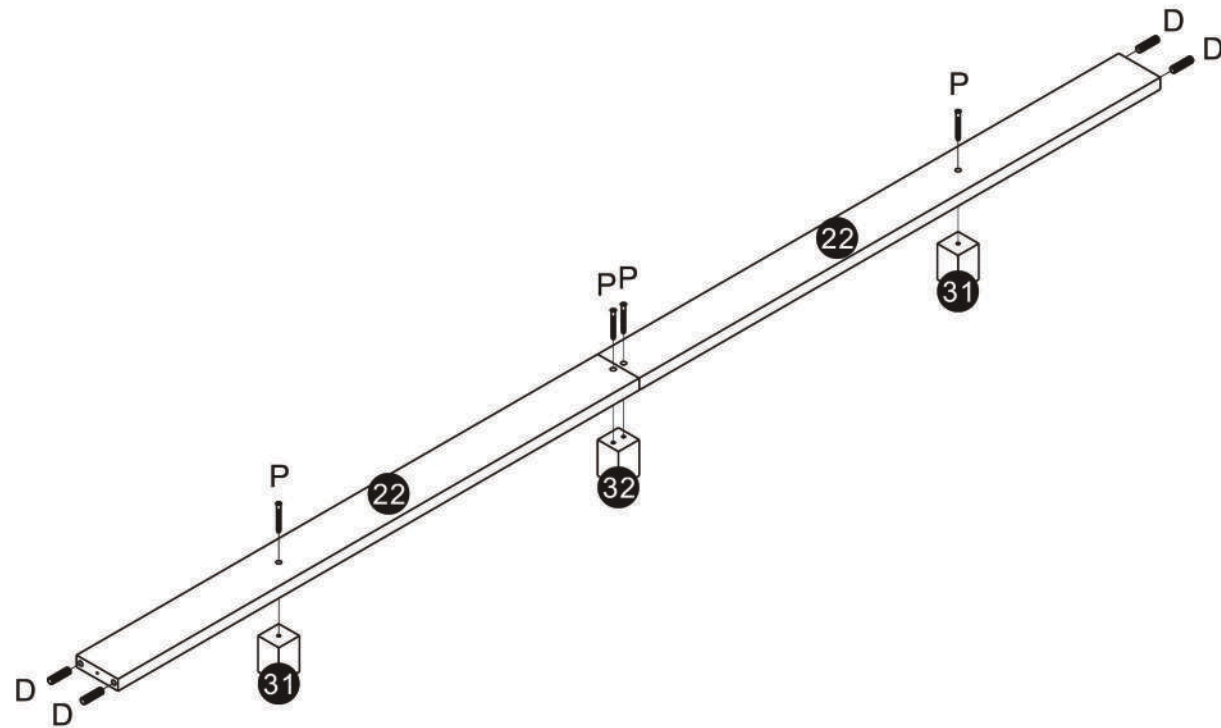
L x1 	A x8 M6 x90mm 	B x8 	C x4  Ø6 x90mm
-------------------------------------------------------------------------------------------	-------------------------------------------------------------------------------------------------------	-------------------------------------------------------------------------------------------	-------------------------------------------------------------------------------------------------------








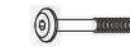


x2

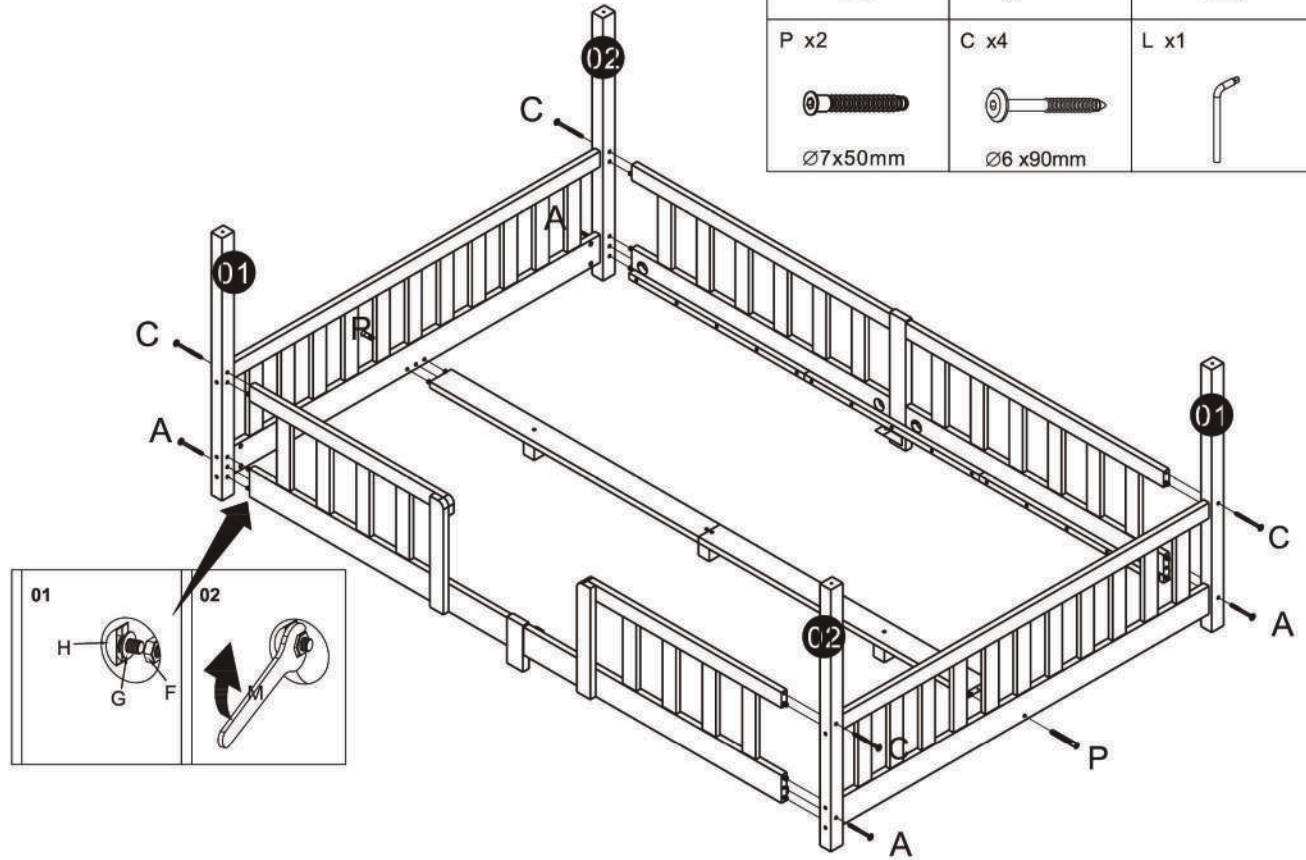
10

P x4 Ø7x50mm 	D x4 Ø8 x30mm 
--------------------------------------------------------------------------------------------------------	---------------------------------------------------------------------------------------------------------



11

G x4 	M x1 	F x4 	H x4 
P x2 Ø7x50mm 	C x4 Ø6 x90mm 	L x1 	A x4 M6 x90mm 



12

J x 26 Ø4 x30mm 