

# Towel Rail Installation

- review instructions carefully before installation
- installation should be completed by a suitably qualified person
- please dispose of packaging in a responsible manner

**[neu.haus]**<sup>®</sup>

Item No.: PXAF-0105-0113  
 PXAF-0124-0132  
 V1.0

**tools required**

- Cross screwdriver
- Slotted screwdriver

Ø8.0mm

1		Blanking Plug	x1/x3x
2		AirVent	x1
3		Washer	x4
4		Long Screw	x4
5		Masonry Wall Plug	x4
6		Spacer	x4
7		Wall Support	x4
8		Cap	x4
9		Bracket Bush	x4
10		Cross Bolt	x4
11		Short Screw	x4

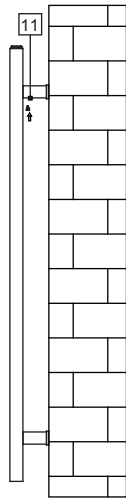
**1**

Apply PTFE tape(not supplied) to the blanking plug and insert them into the top left threaded holes.  
 Apply PTFE tape(not supplied) to air vent plug and insert them into the top right threaded holes.

**2**

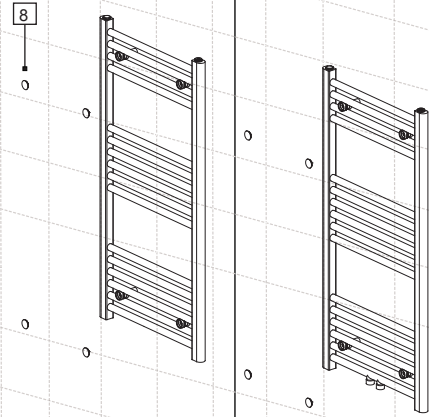
**3**

4



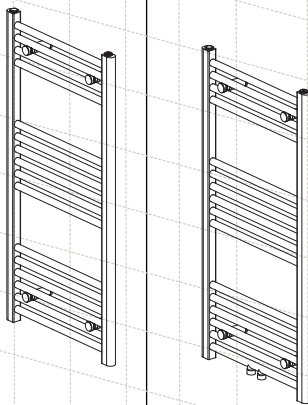
Use a Phillips screwdriver to screw the self-tapping screw on the support seat to fix the product.

5



After assembled product, installing the pendant decoration cover.

6



**After installation . . .**

- Use a screwdriver to open the air vent, open the valve and let the water rush into the towel warmer. Check all connections for leaks.
- Once water overflows from the air vent, there is no air in the tube.
- Use a screwdriver to close the air vent, turn on the valve and the towel warmer is ready for use.

**After care . . .**

- Classic towel warmers are made from steel with chrome plating, and should not be cleaned with corrosive or scouring cleaning agents.

**Please note . . .**

- This product can only be used at  $PN \leq 0.8 \text{MPa}$  ( $8 \text{g/cm}^2$ , 8Bar), It should only be filled with water, and at a temperature below  $100^\circ\text{C}$  ( $212^\circ\text{F}$ ). See table below for installation requirements.
- If the temperature exceeds  $48^\circ\text{C}$  (or  $120^\circ\text{F}$ ), please install a warning sign near the product to avoid burning and scolding accidents.

**Fill <sup>3</sup>/<sub>4</sub> Full**

water only

**Pressure**

$PN \leq 0.6 \text{Mpa}$

**Temperature**

$0^\circ \text{C} < t \leq 100^\circ\text{C}$

**Comments**

If ambient temperature drops below  $1^\circ\text{C}$ , drain out the water to prevent freezing.

**H.T. TRADE SERVICE GmbH & Co. KG**  
**49090 Osnabrück, Eversburger Str. 32. Germany**